

## OPERATIONAL GUIDE

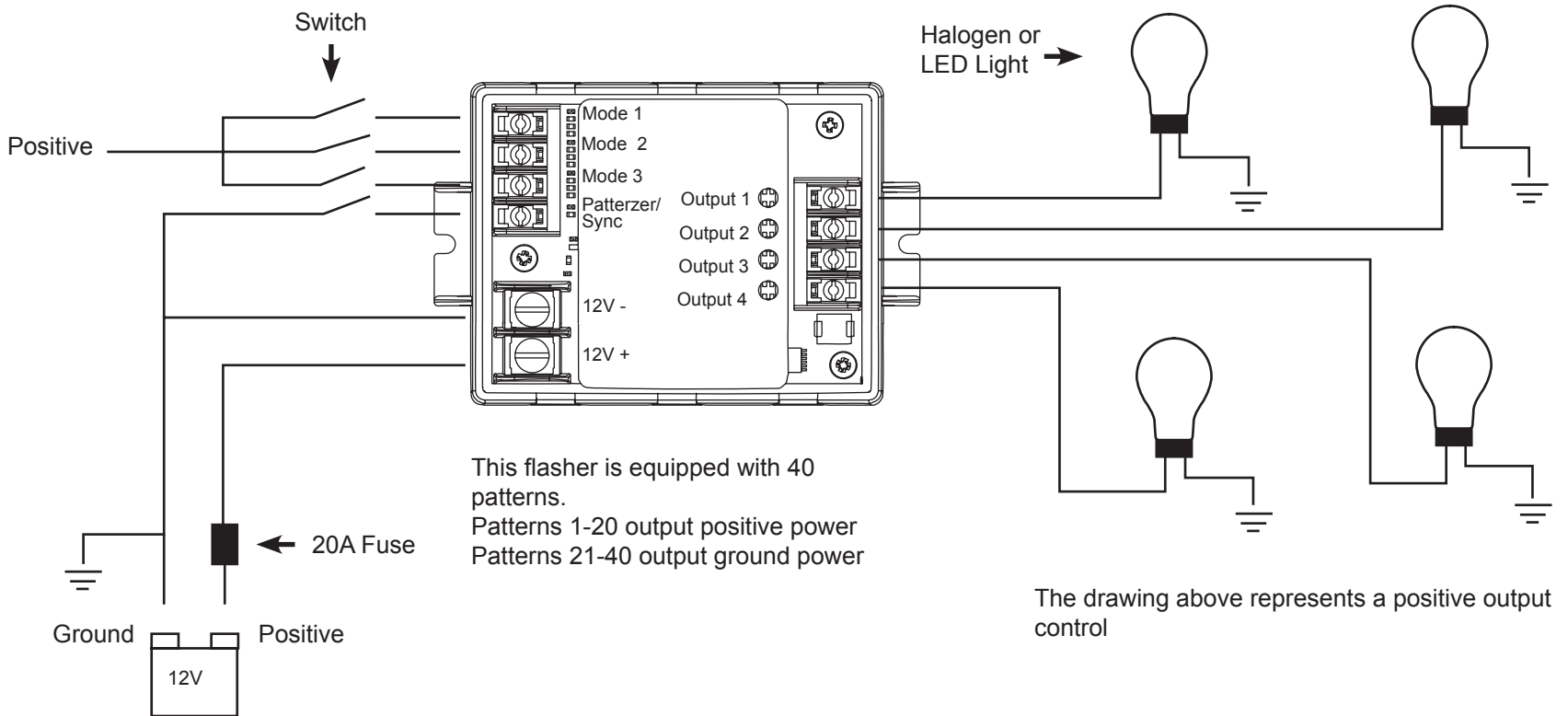
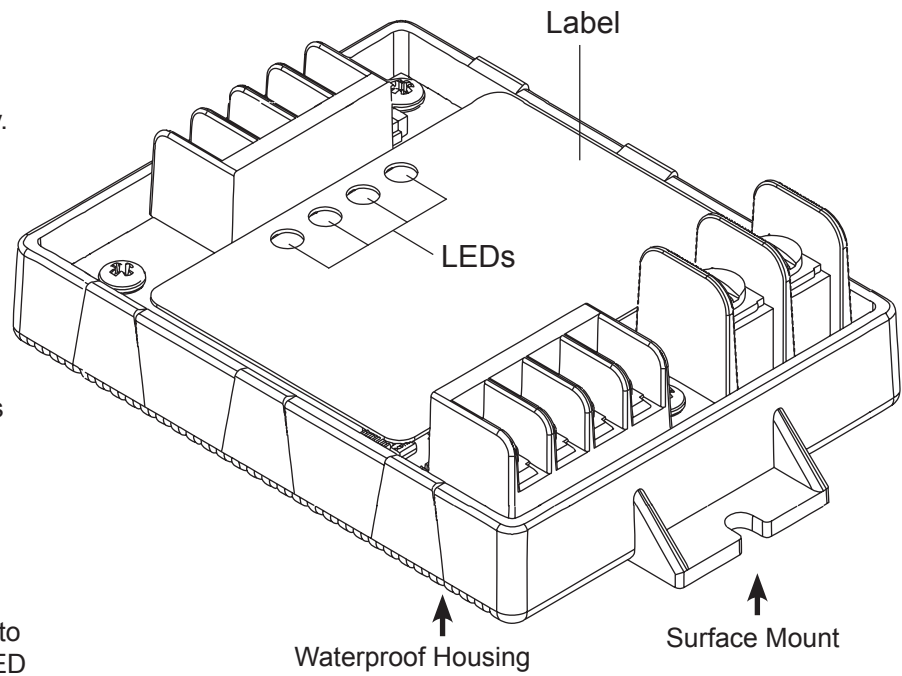
This manual serves as a guide for the Flasher Controller.

## WIRING DIAGRAM

Wiring Instructions:

1. To activate the unit, extend a wire from the 12V+ to a 12V+ activated post. Extend a wire from 12V- to the ground post of the vehicle's battery.
2. Select a Mode by applying a 12V+ signal to one of the three programmable Mode terminals (they will respond to both high signals). The default pattern will become active.  
Note: Mode3 overrides Mode2, and Mode2 overrides Mode1.
3. To program the selected Mode with a different flash pattern, scroll through the patterns by momentarily connecting the 'Pattern Changer / Sync' terminal to 12V-. The current pattern will turn off and when 12V- is removed the next pattern will activate.
4. To synchronize more than one Flasher unit, activate the same flash pattern on all units and connect the 'Pattern Changer / Sync' terminals together.
5. All 4 outputs are rated at 5 amps each. Outputs can be programmed to provide positive or ground power to each light head. When the green LED is illuminated, outputs are set to 12V- activation. When the red LED is illuminated, outputs are set to 12V+ activation.

Flashing Red LED: 12V+ Output Control  
Flashing Green LED: 12V- Output Control



## FLASH PATTERNS

This manual serves as a guide for the Flasher.

Cluster (+)
Attack (+)
Night Ride (+)
All On Slow (+)
All On Fast (+)
One One Slow (+)
One One Fast (+)
Half Half Slow (+)
Half Half Fast (+)
In Out Slow (+)
In Out Fast (+)
Combo Slow (+)
Combo Fast (+)
Left Arrow Slow (+)
Left Arrow Fast (+)
Right Arrow Slow (+)
Right Arrow Fast (+)
Center Out Slow (+)
Center Out Fast (+)
Brake Pop (+)
Steady On (+)
Steady On 3 & 4 (+)
Steady On 1 & 2 (+)